

CODE NUMBER

20201015

DESCRIPTION

ST-2029 Water Closet and REGAL 111 Flushometer.

COMPONENTS

- Flushometer: Code 3080050
- Water Closet: Code 2102029

DETAILS

- Flush Volume: 1.28 gpf (4.8 Lpf)
- Nominal Dimensions: 26 ¾" x 14" x 17" (679 x 356 x 432mm)

FLUSHOMETER FEATURES

- ADA Compliant Metal Oscillating Non-Hold-Open Handle
- 1" I.P.S. Screwdriver Bak-Chek® Angle Stop
- Control Stop Plug
- Sweat Solder Adapter with Cover Tube
- Cast Wall Flange with Set Screw
- Vacuum Breaker Flush Connection
- Non-Hold-Open Handle and No External Volume Adjustment to Ensure Water Conservation

FIXTURE FEATURES

- White Vitreous China
- Elongated bowl
- Floor mounted, floor outlet
- Siphon jet flushing action achieves 1000g Map score when used with any Sloan flushometer
- Water spot area: 10⅞" x 9⅜" (26 cm x 24 cm)
- 1½" I.P.S. top spud inlet
- 2⅝" fully glazed trapway
- Closet bolts and caps included
- Toilet seat not included
- Static load rating of 1000 lbs. (See Notes)



COMPLIANCES & CERTIFICATIONS



(ADA Compliant, BAA Compliant, BREEAM Water Credit, BREEAM Materials Credit, CalGreen Compliant, CEC Compliant, cUPC Certified, cUPC Certified (Requires use of listed vacuum breaker that complies with ASSE 1001), cUPC Green Certified, cUPC Green Certified (Requires use of listed vacuum breaker that complies with ASSE 1001), EPD, Green Globes Water Credit, Green Globes Materials & Resources Credit, HPD, LEED Materials & Resources EPD Credit, LEED Materials & Resources HPD Credit, LEED V4 Water Efficiency Credit, Satisfies LEED Credits, WaterSense Listed, WELL Building Standard)

DOWNLOADS

- [Top Spud FM Closets Installation Instructions](#)
- [Regal XL Exposed Installation Instructions](#)
- [Regal Flushometers Repair and Maintenance Guide](#)
- [SS/ST/SU/WETS/WEUS Fixtures Repair and Maintenance Guide](#)
- [EBV500/EBV550 Repair and Maintenance Guide](#)
- [Additional Downloads](#)

NOTES

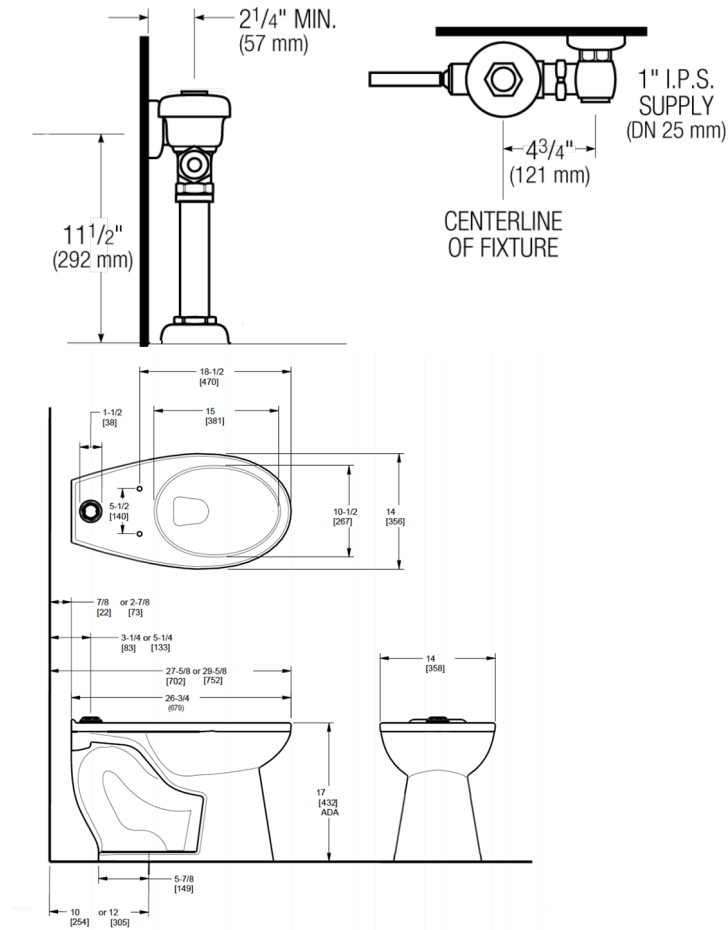
All information contained within this document subject to change without notice.

Static load tested according to the procedure outlined in Section 6.7 of ASME A112.19.2. Not recommended for bariatric use.

Sloan 10500 Seymour Ave, Franklin Park, IL 60131

Phone: 800.982.5839 • Fax: 800.447.8329 • sloan.com

ROUGH-IN



Sloan 10500 Seymour Ave, Franklin Park, IL 60131
 Phone: 800.982.5839 • Fax: 800.447.8329 • sloan.com